



## Flow totalizer for analog inputs FL20a

---

### General Description

The FL20A is an analog process variable meters (e.g.. 4-20ma) with integrating capacity. Each second adds the input in a 6 digits counter (Totalized) creating a time integral of the process variable.

Typical uses are jointly with analog output flow meters (e.g. magnetic flow meters) allowing to have the flow rate in the lower 4 digit display and the total accumulated flow in the upper 6 digit display.

---

### Characteristics

#### Inputs

- Standard process variables as 4..20mA, 0..10V,etc.
- Two additional external inputs (dry contact) programmable as reset functions.

#### Readings

- Totalized in 6 high bright 14.5mm height red digits. (Upper display)
- Input process variable in lower 4 digits.
- Pre-scale, adjust the totalized for any engineering unit.
- Continuous memory, stores last reading.
- Registers maximum and minimum readings for process variable input.

#### Alarms

- 4 alarms assigned independently to preset values of the totalized count or the input rate, linked to the 2 output relays,
- Latch and standby functions.

#### Outputs

- Two output relays, with two programmable alarms each ( high and low)
- Output pulse with frequency proportional to the analog input. For external totalizing in PLCs.
- Galvanically isolated analog outputs for the rate meter:  
active loop 4..20ma ,0...10V, passive loop 4..20ma.

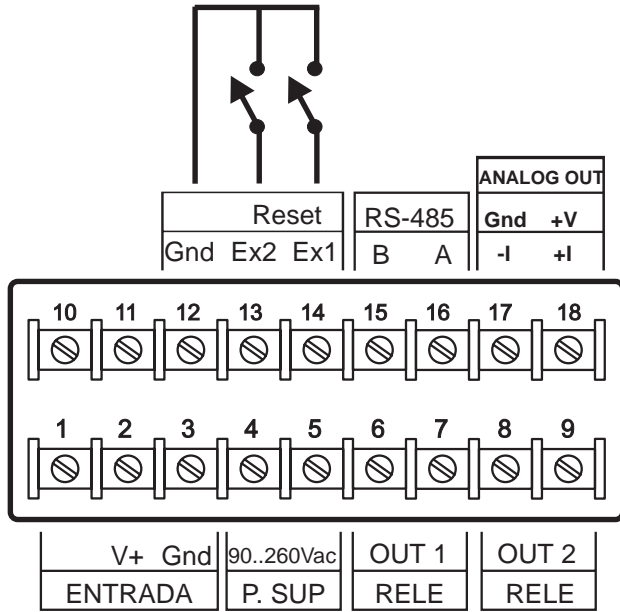
#### Communications

- RS485 Modbus RTU serial communications reports data to a PC or PLC.

#### Configuration.

- From a PC compatible by means of RPS software.
- From frontal push buttons.

# FL20a Electrical connections



0..20mA, 4..20mA

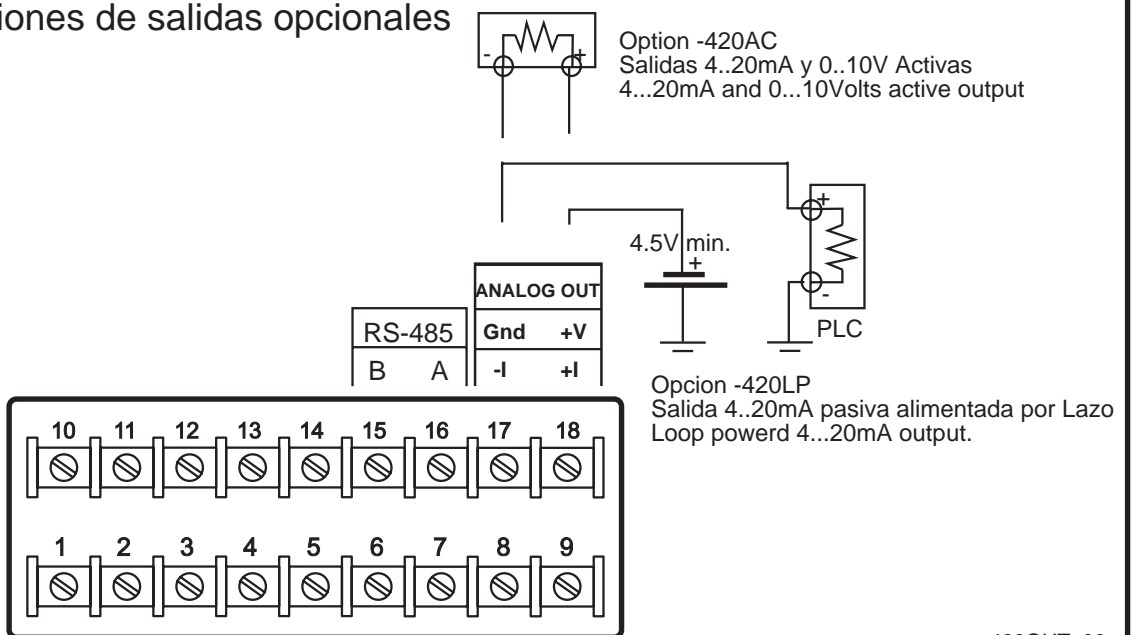


0..10V, 0..5V, 0..50mV



FID2019B

## Conexiones de salidas opcionales



420OUT\_00

---

## TECHNICAL SPECIFICATIONS

---

INPUTS                    Process variable type:  
4...20 mA, 0...20 mA, 0...5 V, 1..5 V, 0..10 V, 0..50 mV

---

OUTPUTS:                Relays, 2 outputs for alarms 250VAC/ 3A., normally open or normally close by software.

Optional:

-420L 4... 20 mA, loop powered, Vdrop 4.5V max. opto isolated (5kV).  
-420A 4..20ma/0-10V Active loop, opto isolated (5kV).  
-RS485 modbus RTU serial communications, opto isolated (5kV).

---

POWER SUPPLY:

Current mode switching power supply.  
Version:    85...260 Vac, 6 W, 45...65 Hz.  
Version:    20...60 VDC, 6 W, (optional)

---

CONSTRUCTION:

Aluminum and Polycarbonate; IP65  
Total Dimension:                DIN 1/8; 96 x 48 x 135 mm.  
Panel cut:                         92 x 45 mm.  
Weight:                             300 grams.  
Operation temperature:        0 ... 50 °C.

---

---

## PART CODES:

Part number must be done selecting the following alternatives.

FL20A

---

-AC : 85...260 Vac, 6 W, power supply.  
-DC : 18...60 Vdc, 6 W power supply.

---

OPTIONAL

-420L :4..20ma passive loop  
-420A :4..20ma active, includes also 0..10Vdc

---

OPTIONAL

-RS485 :modbus RTU serial communications

---

For example:

FL20A-AC

AC power supply , without any optional output.

FL20A-DC-RS485

DC power supply and modbus RTU serial communications.

---

---

## FOR MORE INFORMATION CONTACT US:

### ARIAN S. A.

Teniente Montt 1932, Ñuñoa  
Santiago, Chile  
Fono/Fax 56-2-4249363  
arian@arian.cl  
www.arian.cl